

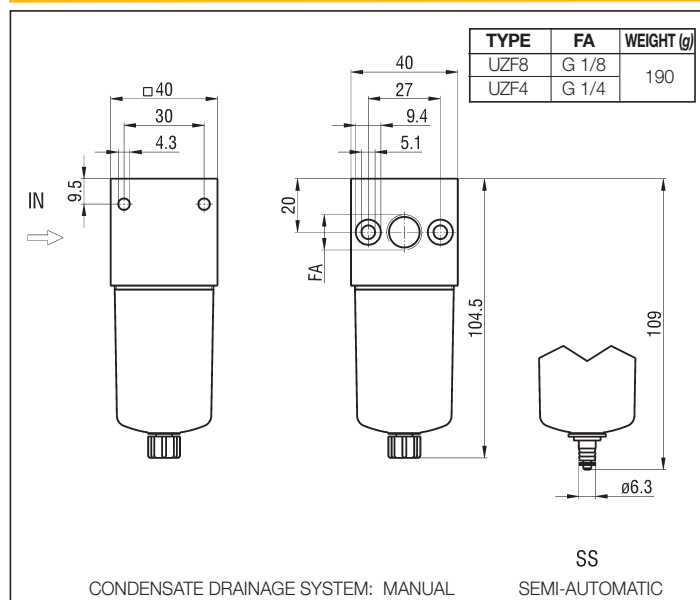
DESCRIPTION

Filters series "UZF" are produced with connections G 1/8 and G 1/4; they are available with various degrees of filtration and with manual or semi-automatic condensate drainage system. The techno-polymer bowls can carry a metallic protection or being entirely metallic (without visualization of level).

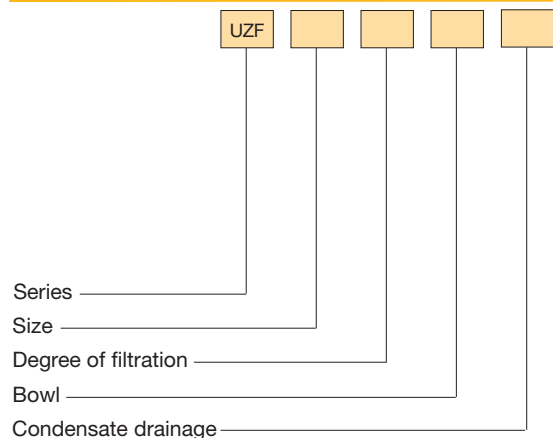
TECHNICAL DATA

Maximum pressure	16 bar
Working temperature	0 ÷ +50 °C (-10 °C with dry air)
Fluid	Compressed air
Port size	G 1/8 - G 1/4
Void fraction	20 µm standard, 5 µm and 40 µm on request
Condensate drainage system	Manual or semi-automatic
Max. condensate capacity	9 cm ³ (do not exceed the level gauge)
Type of mounting	Modular, in-line and wall-mounting
Wall clamping screws	M4x50

DIMENSIONS AND WEIGHT UZF



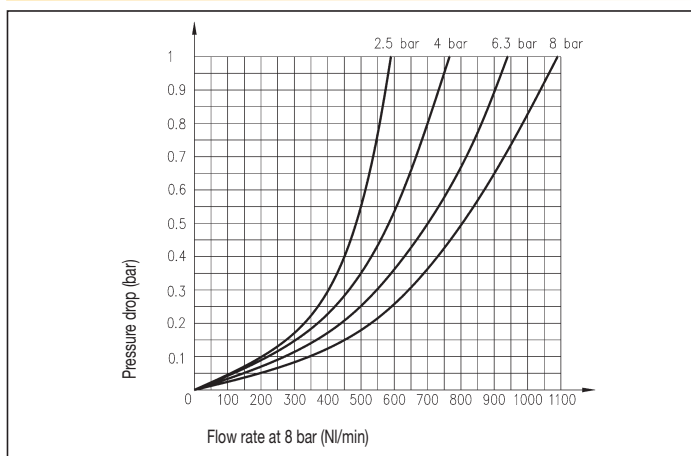
ORDER KEY



MATERIALS

Body	Aluminium alloy
Bowl	Transparent techno-polymer with metallic protection or entirely metallic bowl (without visualization of level) on request.
Filtering element	Sintered polyethylene
Seals	NBR rubber
Baffle	Acetal resin

FLOW CHART - UZF



SIZE

8 G 1/8 4 G 1/4

DEGREE OF FILTRATION

/5 5 µm /20 20 µm
/40 40 µm

BOWL

Transparent PM Metallic protection
TM Metallic

CONDENSATE DRAINAGE SYSTEM

Manual /SS Semi-automatic

SPARE PARTS

Metallic protection	UZ/PM
Metallic bowl with manual drain	UZ/TM/R
Metallic bowl with semi-automatic drain	UZ/TM/R/SS
Techno-polymer bowl with manual drain	UZF/SG/3
Techno-polymer bowl with semi-automatic drain	UZF/SG/3/SS
Filter cartridge 5 µm	UZF/SG/1
Filter cartridge 20 µm	UZF/SG/2
Filter cartridge 40 µm	UZF/SG/4

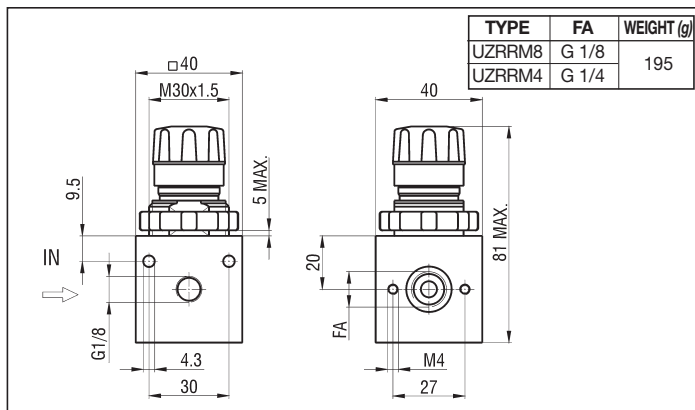
DESCRIPTION

Reducers series "UZRR" are produced in two different models: type UZRRH, fit for in-line or panel mounting and type UZRRM, fit for panel mounting or modular assembly (with filter and lubricator). Both the two models are available with different scales of regulation and with connections G 1/8 and G 1/4.

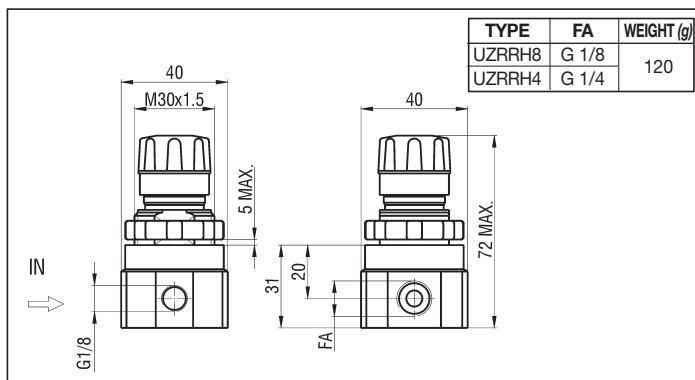
TECHNICAL DATA

Maximum pressure	16 bar
Working temperature	0 ÷ +50 °C (-10 °C with dry air)
Fluid	Filtered, lubricated and unlubricated compressed air
Port size	G 1/8 - G 1/4
Pressure gauge port size	G 1/8
Adjusting range (bar)	0,2 ÷ 2 - 0,4 ÷ 4 - 0,8 ÷ 9 - 1,5 ÷ 12
Type of mounting	Modular, in-line, wall and panel mounting
Wall clamping screws	M4x50

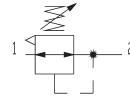
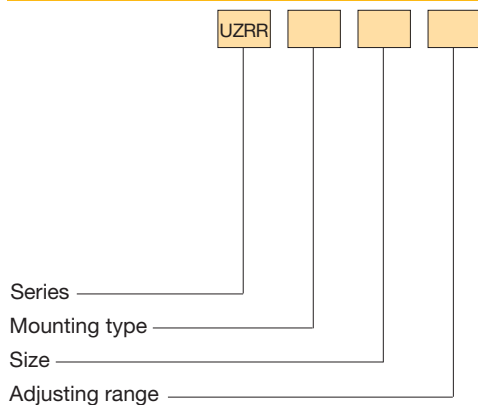
4 DIMENSIONS AND WEIGHT UZRRM



DIMENSIONS AND WEIGHT UZRRH



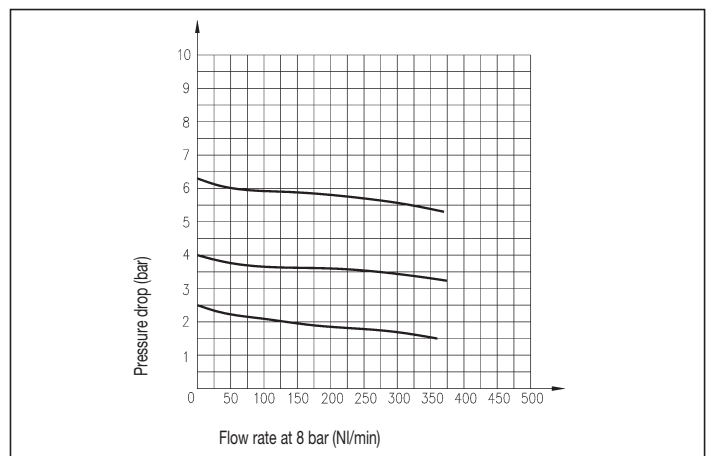
ORDER KEY



MATERIALS

Body	Aluminium alloy
Bowl	Transparent techno-polymer with metallic protection or entirely metallic bowl (without visualization of level) on request
Filtering element	Sintered porous bronze
Seals	NBR rubber
Baffle	Acetal resin

FLOW CHART - UZRR



MOUNTING TAPE

H For panel mounting **M** Modular

SIZE

8 G 1/8 **4** G 1/4

ADJUSTING RANGE

/3 0,2 ÷ 2 bar **/5** 0,4 ÷ 4 bar
/7 0,8 ÷ 9 bar **/12** 1,5 ÷ 12 bar

P.S.: Reducers can be supplied without the relieving seal on request; the series becomes **UZR**...

SPARE PARTS

Relieving kit adjustment	UZRR/SG/6
Non-relieving kit adjustment	UZRR/SG/5

Air treatment: filter reducer UZRRM /F G 1/8 - G 1/4

series UZ

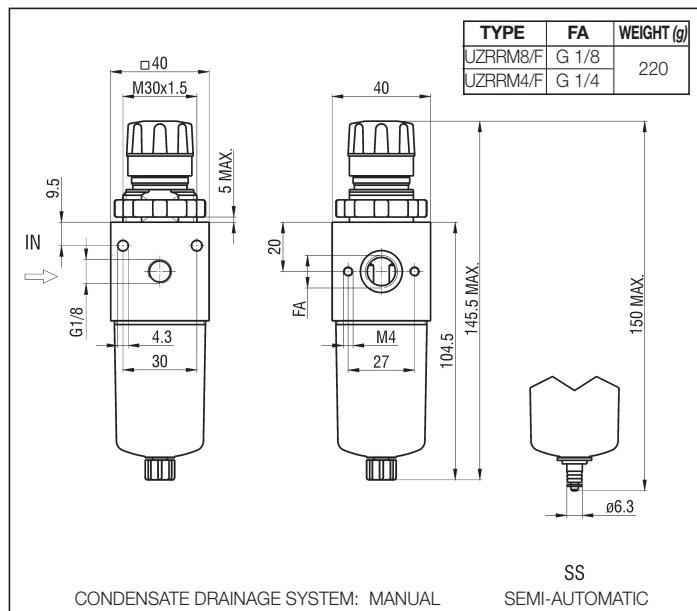
DESCRIPTION

Filter reducer series "UZRRM /F", produced with connections G 1/8 and G 1/4, combine the characteristics of the filters and of the pressure reducers series "UZ", thus optimising the overall dimensions.

TECHNICAL DATA

Maximum pressure	16 bar
Working temperature	0 ÷ +50 °C (-10 °C with dry air)
Fluid	Compressed air
Port size	G 1/8 - G 1/4
Pressure gauge port size	G 1/8
Void fraction	20 µm standard, 5 µm and 40 µm on request
Condensate drainage system	Manual or semi-automatic
Max. condensate capacity	9 cm ³ (do not exceed the level gauge)
Adjusting range (bar)	0,2 ÷ 2 - 0,4 ÷ 4 - 0,8 ÷ 9 - 1,5 ÷ 12
Type of mounting	Modular, in-line, wall and panel mounting
Wall clamping screws	M4x50

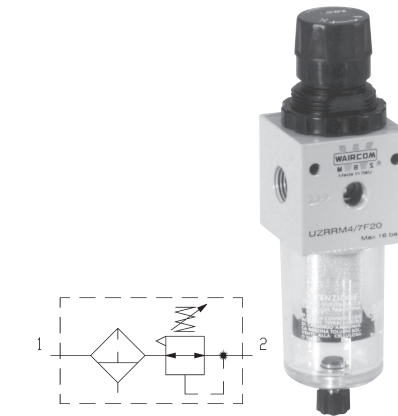
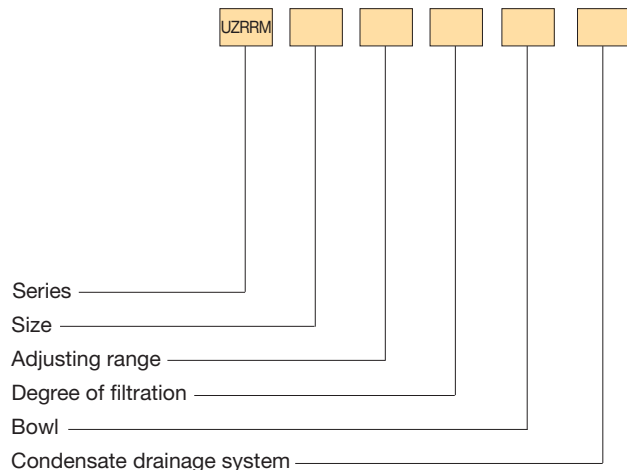
DIMENSIONS AND WEIGHT UZRRM /F



SPARE PARTS

See series "UZ" (on page 4.3) and "UZRR" (on page 4.4)

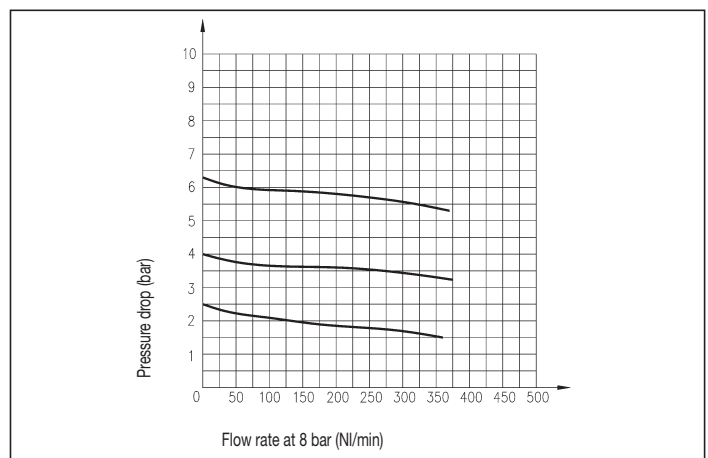
ORDER KEY



MATERIALS

Body	Aluminium alloy
Bowl	Transparent techno-polymer with metallic protection or entirely metallic bowl (without visualization of level) on request
Filtering element	Sintered polyethylene
Seals	NBR rubber
Baffle	Acetal resin
Closing plug	Brass, NBR rubber
Spring	Stainless steel
Knob	Acetal resin
Adjusting screw	Brass
Diaphragm	Brass, NBR rubber

FLOW CHART - UZRRM /F



SIZE

8 G 1/8 4 G 1/4

ADJUSTING RANGE

/3 0,2 ÷ 2 bar /5 0,4 ÷ 4 bar
/7 0,8 ÷ 9 bar /12 1,5 ÷ 12 bar

DEGREE OF FILTRATION

F5 5 µm F20 20 µm
F40 40 µm

BOWL

Transparent PM Metallic protection
TM Metallic

CONDENSATE DRAINAGE SYSTEM

Manual /SS Semi-automatic

PS.: Filters reducers can be supplied without the relieving seal on request; the series becomes UZRM...

DESCRIPTION

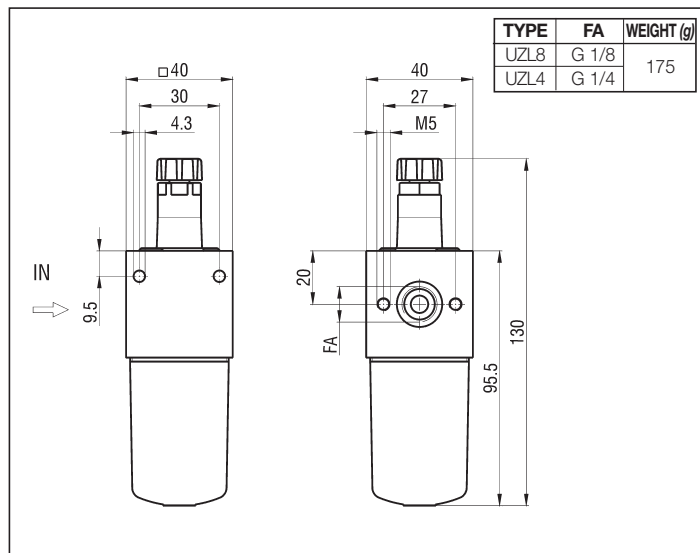
Lubricators series "UZL" are produced with connections G 1/8 and G 1/4; the techno-polymer bowls can carry a metallic protection or being entirely metallic (without visualization of level). For a correct lubrication it is advisable to set the drip rate in order to have a drop of oil (WAIRSOL class ISO22) every 300 - 500 NI/min.

TECHNICAL DATA

Maximum pressure	16 bar
Working temperature	0 ÷ +50 °C (-10 °C with dry air)
Fluid	Filtered compressed air
Port size	G 1/8 - G 1/4
Bowl capacity	20 cm ³ (do not exceed the level gauge)
Type of mounting	Modular, in-line and wall-mounting
Wall clamping screws	M4x50
Minimum striking flow rate	20 NI/min

4

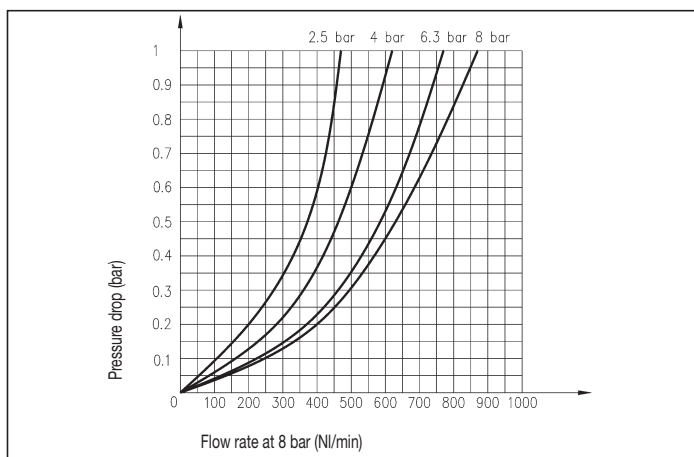
DIMENSIONS AND WEIGHT UZL



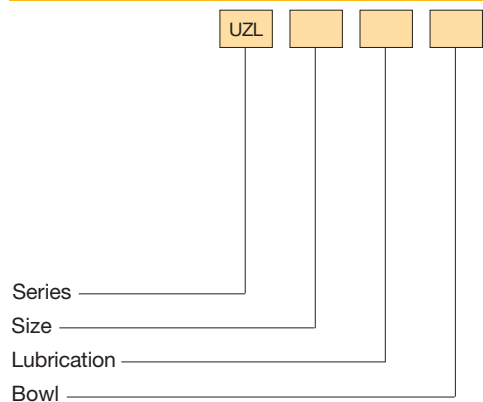
MATERIALS

Body	Aluminium alloy
Bowl	Transparent techno-polymer with metallic protection or entirely metallic bowl (without visualization of level) on request
Seals	NBR rubber
Conduits	Acetal resin

FLOW CHART - UZL



ORDER KEY



SIZE

8 G 1/8	4 G 1/4
----------------	----------------

LUBRICATION

Oil mist	M Micro-oil mist
----------	-------------------------

BOWL

Transparent	PM Metallic protection
TM Metallic	

SPARE PARTS

Metallic protection	UZ/PM
Metallic bowl	UZL/TM
Techno-polymer bowl	UZL/SG/3
Clear flow indicator	UZL/SG/4

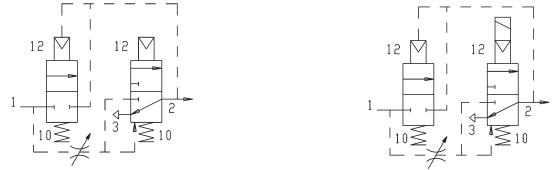
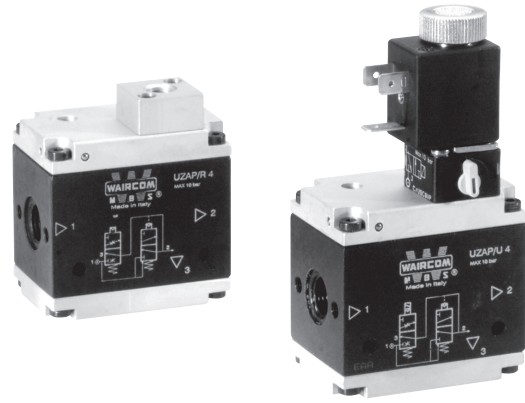
DESCRIPTION

SOFT-START VALVE: soft-start valves series "UZAP" are produced with connection G 1/4 in the pneumatic and solenoid actuated versions. The working of the soft-start valve consists in feeding gradually air into the circuit with adjustable flow. When the pressure in the circuit reaches the $50 \div 60\%$ of the upstream set pressure, the valve switches to full capacity, supplying the circuit with the maximum flow rate.

AUTOMATIC SOFT-START VALVE: this valve, produced with connection G 1/4 in the 2/2 pneumatic version, even if cannot be modular assembled with the F-R-L of series "UZ"* , yet assures the same functionality of the soft-start valve above mentioned, and with the peculiarity of being "automatic", not needing any kind of external pilot.

TECHNICAL DATA

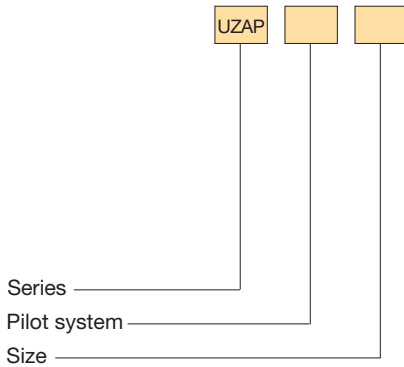
Maximum pressure	10 bar
Working temperature	$0 \div +50^{\circ}\text{C}$ (-10°C with dry air)
Fluid	Filtered, unlubricated or continuous lubricated compressed air
Port size	G 1/4
Piloting port size	G 1/8
Flow rate at 6 bar $\Delta P=1$ bar	500 NI/min (750 NI/min for type UZAP/A4)
Max. flow rate of the adjusting screw of the filling time	300 NI/min
Type of mounting	Modular*, in-line and wall-mounting
Wall clamping screws	M4x50
Piloting solenoid valve	C/USCSVP - see chapter Direct acting solenoid valves on page 2.11
Coil	USB - see chapter Coils on page 2.14
Electric connector	USR 102/N9 - see chapter Connectors on page 2.15



MATERIALS

Body	Anodized aluminium alloy
Springs	Stainless steel
Pistons	Anodized aluminium alloy
Seals	NBR rubber

ORDER KEY



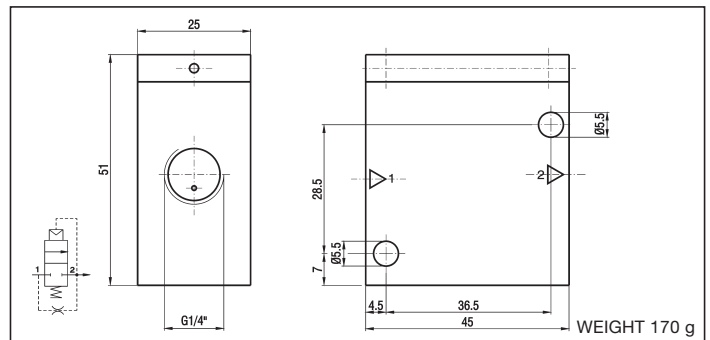
PILOT SYSTEM

/R Pneumatic /U Solenoid
 /A Automatic

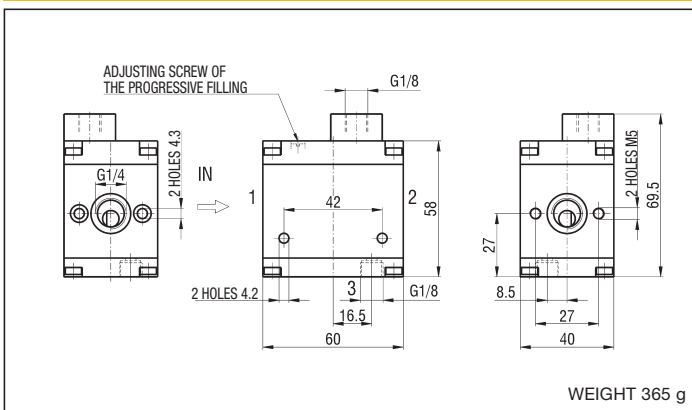
SIZE

4 G 1/4

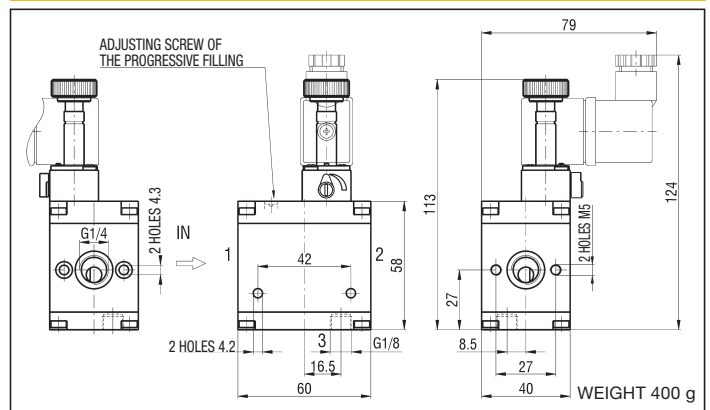
DIMENSIONS AND WEIGHT UZAP/A4



DIMENSIONS AND WEIGHT UZAP/R4



DIMENSIONS AND WEIGHT UZAP/U4

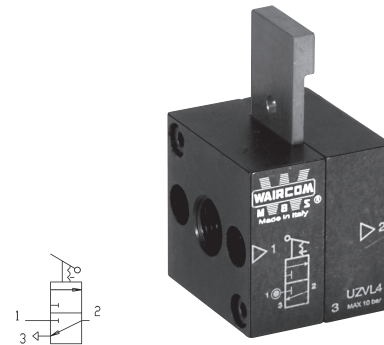


DESCRIPTION

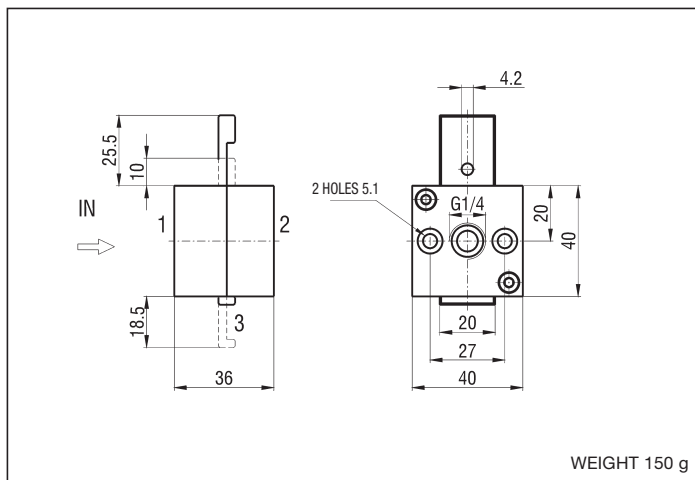
Shut - off valves series "UZVL" are produced with connection G 1/4 and they are fit to be locked in the exhaust position by means of a standard padlock.

TECHNICAL DATA

Maximum pressure	16 bar
Working temperature	0 ÷ +50 °C (-10 °C with dry air)
Fluid	Filtered, unlubricated or continuous lubricated compressed air
Port size	G 1/4
Flow rate at 6 bar ΔP=1 bar	1300 NI/min
Type of mounting	Modular and in-line



DIMENSIONS AND WEIGHT UZVL/4



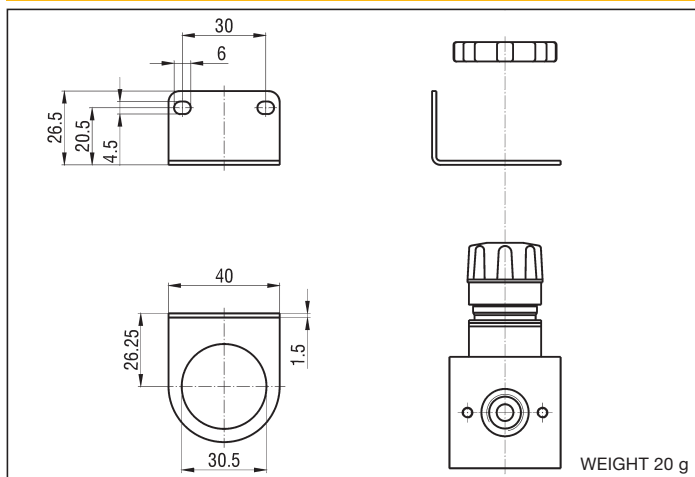
MATERIALS

Body	Anodized aluminium alloy
Seals	NBR rubber
Slider	Anodized aluminium alloy

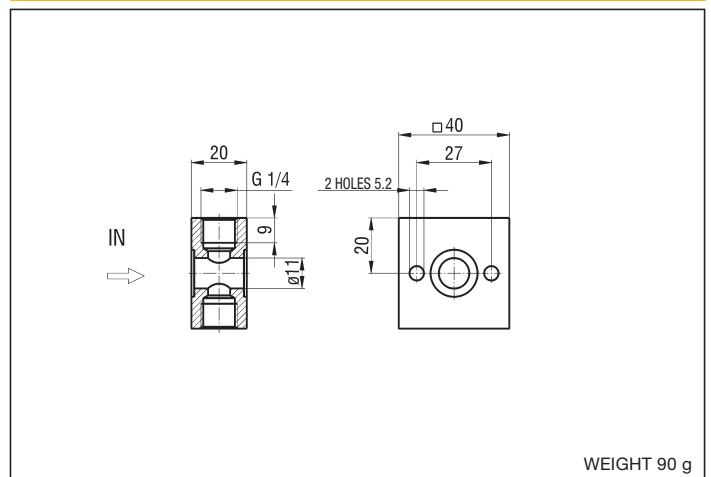
4

ACCESSORIES

MOUNTING BRACKET UZRHS



INTERMEDIATE AIR INTAKE UZPR4 (screws included)



ASSEMBLY SCREWS

Assembly screws F+R+L	UZ/SVG
Assembly screws FR+L	UZ/SVG/1
Assembly screws F+L	UZ/SVG/2
Assembly screws FR+L+AP - R+L+AP	UZAP/SVG
Assembly screws FR+AP - R+AP	UZAP/SVG/1
Assembly screws VL+F+R	UZVL/SVG
Assembly screws VL+FR - VL+R	UZVL/SVG/1

WALL CLAMPING SCREWS

Clamping screws F-FR-R-L-AP	UZ/SVG/P
-----------------------------	----------

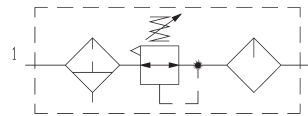
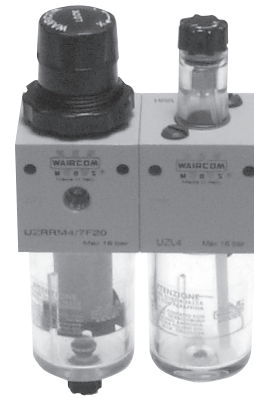
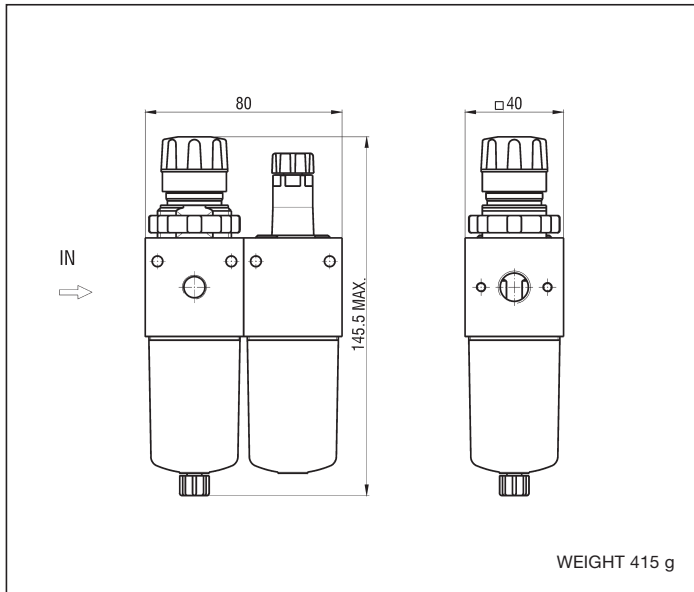
Air treatment: filter reducer + lubricator G 1/8 - G 1/4

series UZ

TECHNICAL DATA

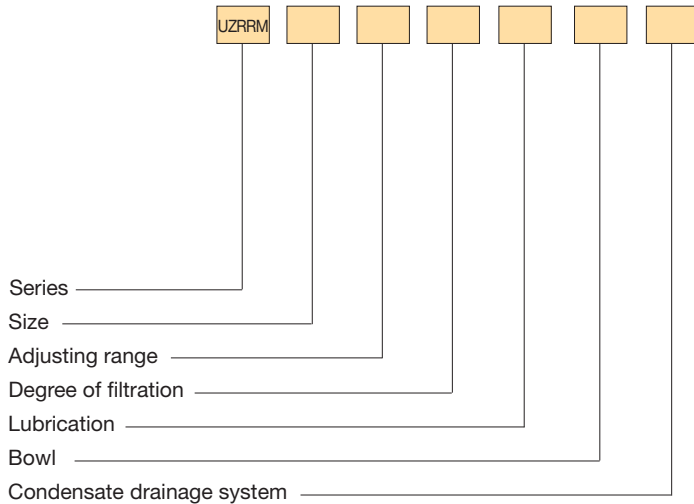
Maximum pressure	16 bar
Working temperature	0 ÷ +50 °C (-10 °C with dry air)
Fluid	Compressed air
Port size	G 1/8 - G 1/4
Pressure gauge port size	G 1/8
Flow rate at 6 bar ΔP=1 bar	260 NI/min
Wall clamping screws	M4x50

DIMENSIONS AND WEIGHT FR+L



4

ORDER KEY



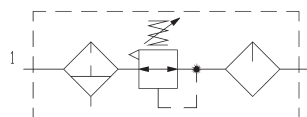
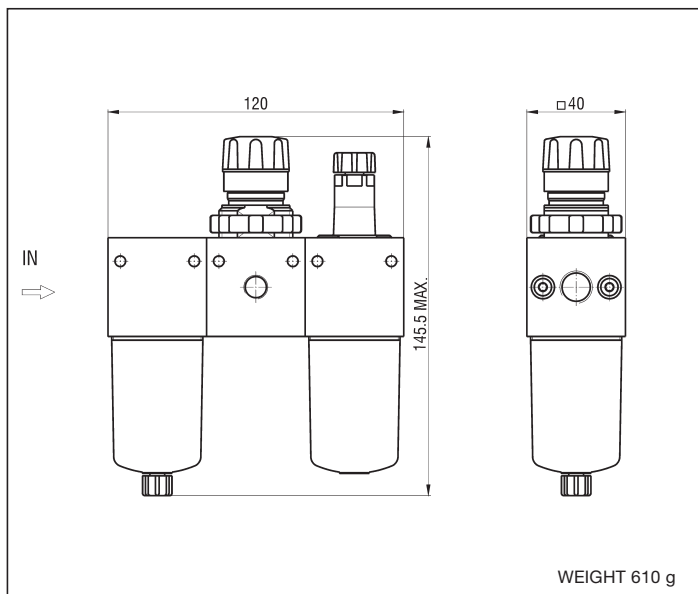
SIZE			
8	G 1/8	4	G 1/4
ADJUSTING RANGE			
/3	0,2 ÷ 2 bar	/5	0,4 ÷ 4 bar
/7	0,8 ÷ 9 bar	/12	1,5 ÷ 12 bar
DEGREE OF FILTRATION			
F5	5 μm	F20	20 μm
F40	40 μm		
LUBRICATION			
L	Oil mist (standard)	LM	Micro-oil mist
BOWL			
	Transparent	/PM	Metallic protection
/TM	Metallic		
CONDENSATE DRAINAGE SYSTEM			
	Manual	/SS	Semi-automatic

P.S.: Filters reducers + lubricators can be supplied without the relieving seal on request; the series becomes **UZRM**...

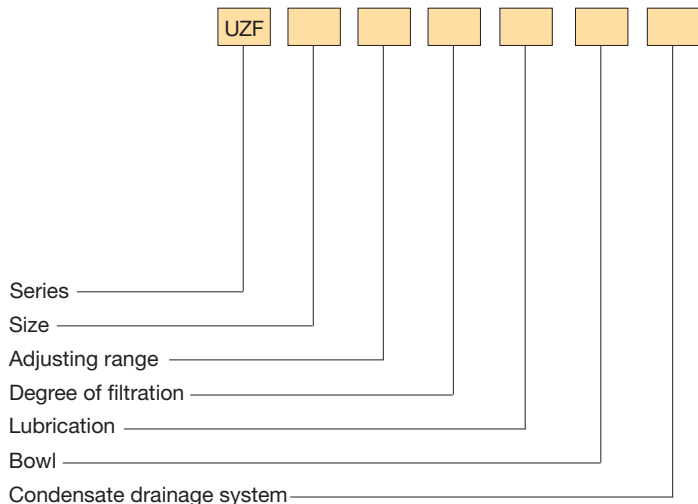
TECHNICAL DATA

Maximum pressure	16 bar
Working temperature	0 ÷ +50 °C (-10 °C with dry air)
Fluid	Compressed air
Port size	G 1/8 - G 1/4
Pressure gauge port size	G 1/8
Flow rate at 6 bar ΔP=1 bar	220 NI/min
Wall clamping screws	M4x50

DIMENSIONS AND WEIGHT F+R+L



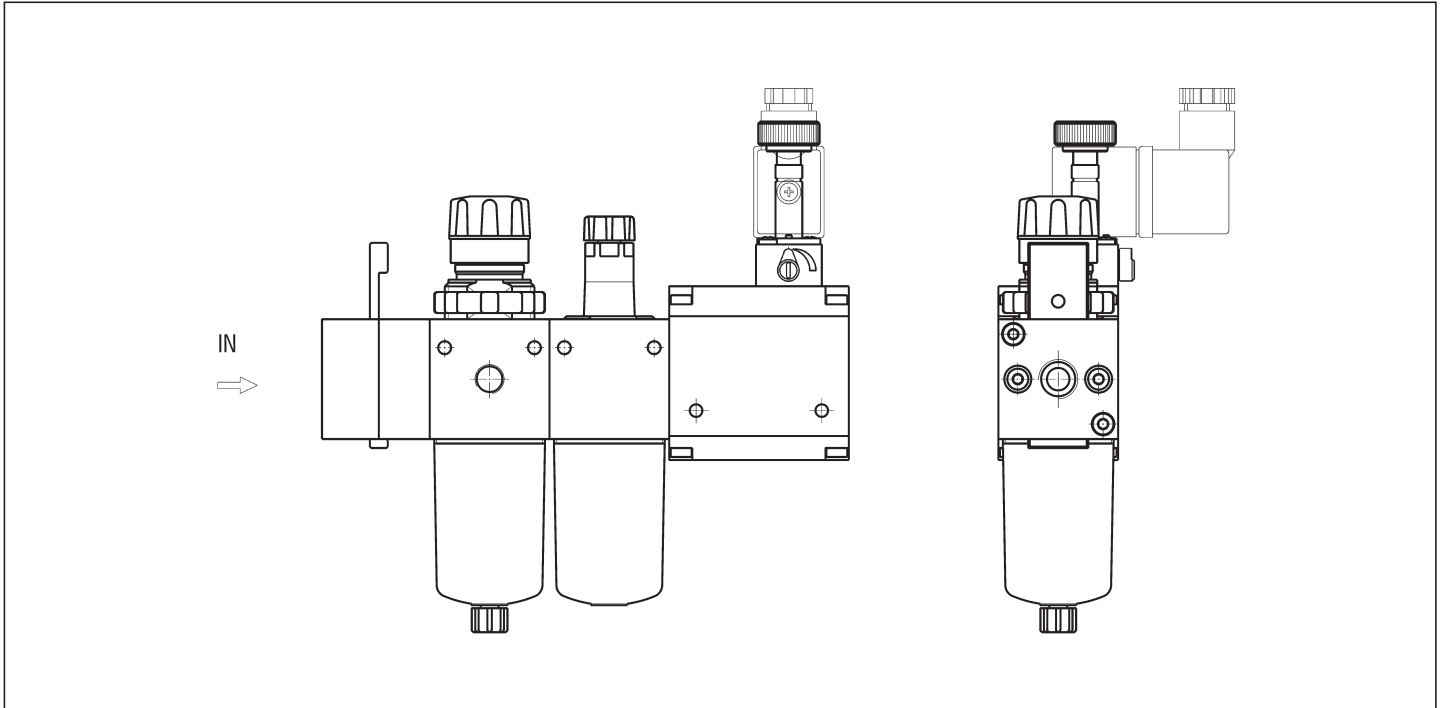
ORDER KEY



SIZE			
8	G 1/8	4	G 1/4
DEGREE OF FILTRATION			
/5	5 μm	/20	20 μm
/40	40 μm		
ADJUSTING RANGE			
RR3	0,2 ÷ 2 bar	RR5	0,4 ÷ 4 bar
RR7	0,8 ÷ 9 bar	RR12	1,5 ÷ 12 bar
LUBRICATION			
L	Oil mist (standard)	LM	Micro-oil mist
BOWL			
	Trasparente	/PM	Metallic protection
/TM	Metallica		
CONDENSATE DRAINAGE SYSTEM			
	Manual	/SS	Semi-automatic

P.S.: Filters + reducers + lubricators can be supplied without the relieving seal on request; the adjusting range becomes "R" (rather than "RR")

SHUT-OFF VALVE + FILTER REDUCER + LUBRICATOR + SOFT-START VALVE



4

SHUT-OFF VALVE + FILTER + REDUCER + LUBRICATOR + SOFT-START VALVE

